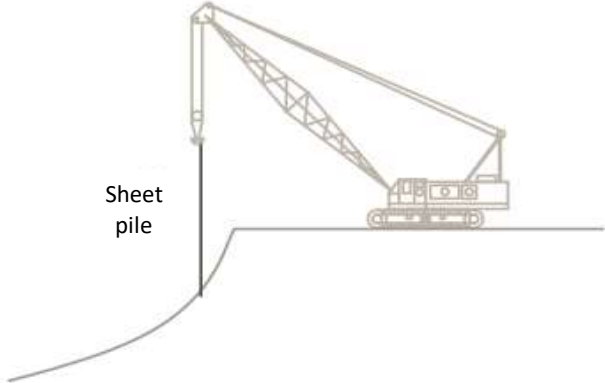
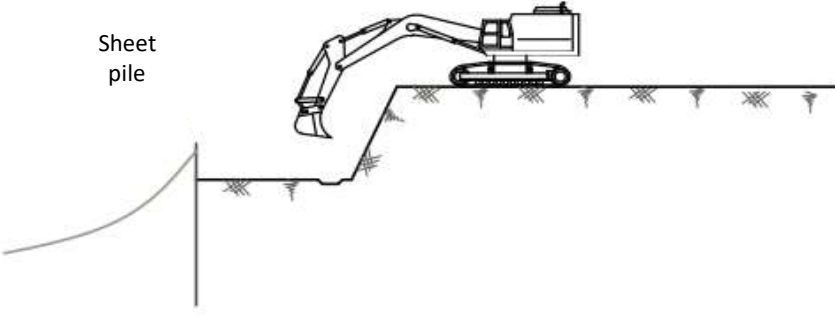
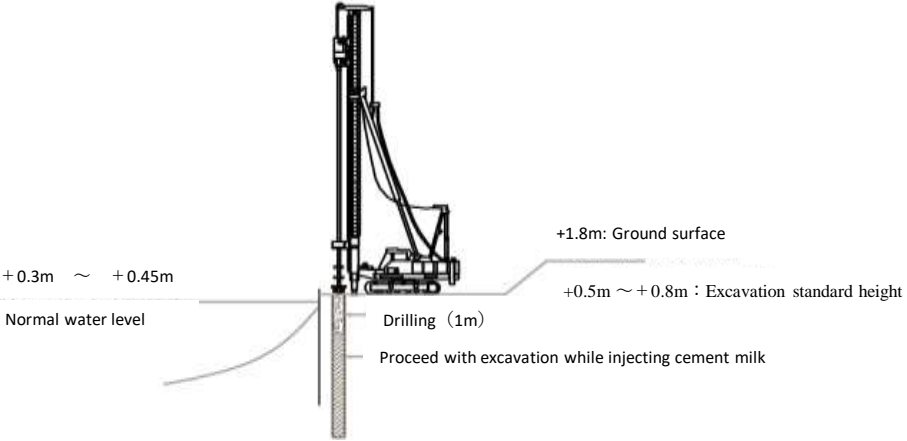
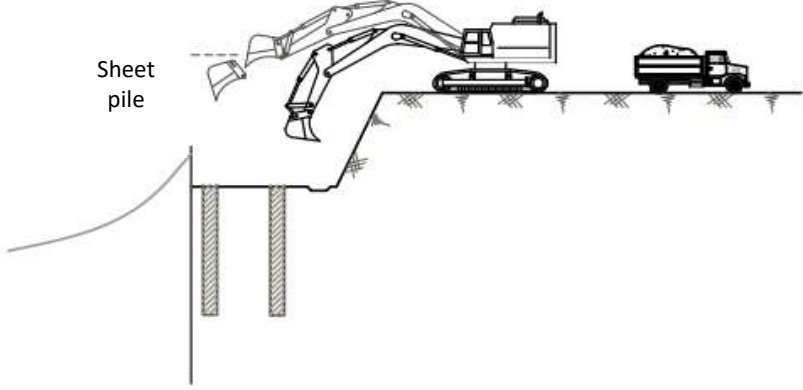
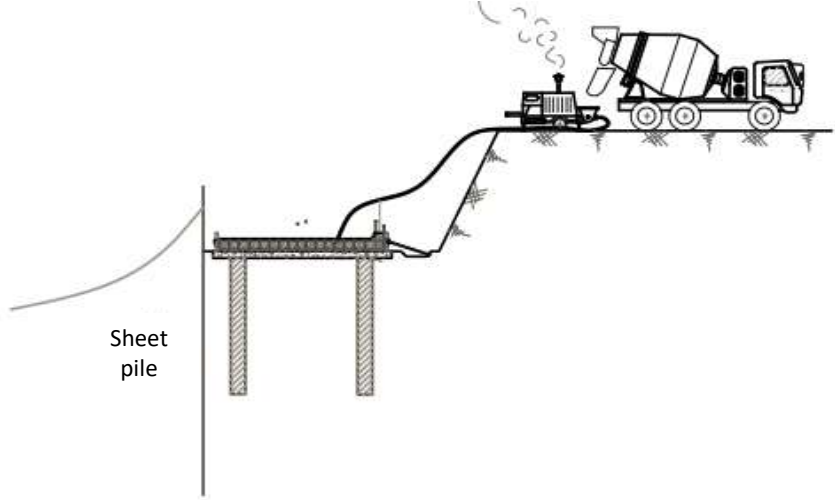


Example of survey and countermeasure construction for preventing or reducing river disasters in Southeast Asia.

Construction name	Survey and countermeasure construction for preventing or reducing river disasters in Tien Giang Province, Vietnam. (Levee construction)
Scale construction	Length of levee: 675m
Ground improvement method	Deep mixing method
Construction company	Something Vietnam Co., Ltd.
Construction process	
Process	Contents
Step 1	Surveying and position confirmation
Step 2	Placing sheet pile 
Step 3	Leveling (using the soil from drilling) 

<p>Step 4</p>	<ul style="list-style-type: none"> • Rotate the tip wing to start excavation. Cement milk is agitated and injected at the same time as excavation. Excavation, agitation are performed while injecting a predetermined amount of cement milk. • When the specified depth is reached, the tip is processed and the tip wing is pulled out while stirring and mixing.  <p>+0.3m ~ +0.45m Normal water level</p> <p>+1.8m: Ground surface</p> <p>+0.5m ~ +0.8m : Excavation standard height</p> <p>Drilling (1m)</p> <p>Proceed with excavation while injecting cement milk</p>
<p>Step 5</p>	<p>Leveling the ground while carefully processing the pile head</p>  <p>Sheet pile</p>
<p>Step 6</p>	<p>Processing rebar ⇒ Constructing levee foundation</p>  <p>Sheet pile</p>

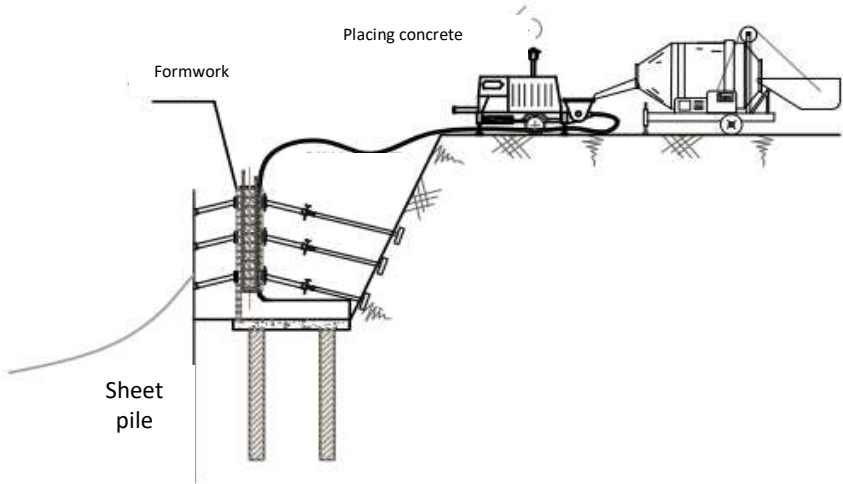
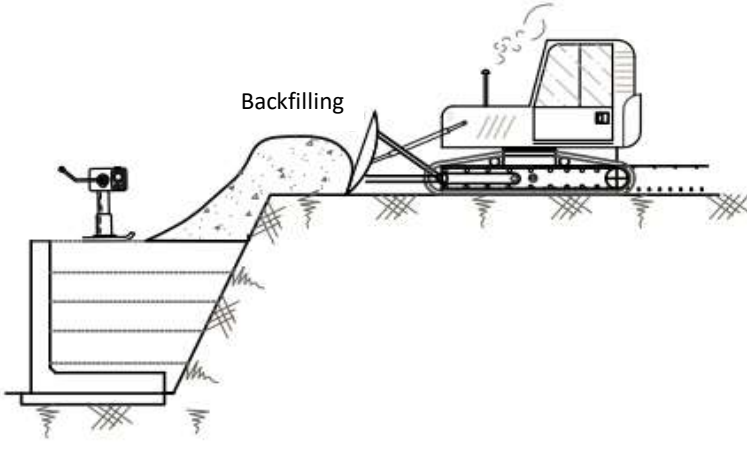
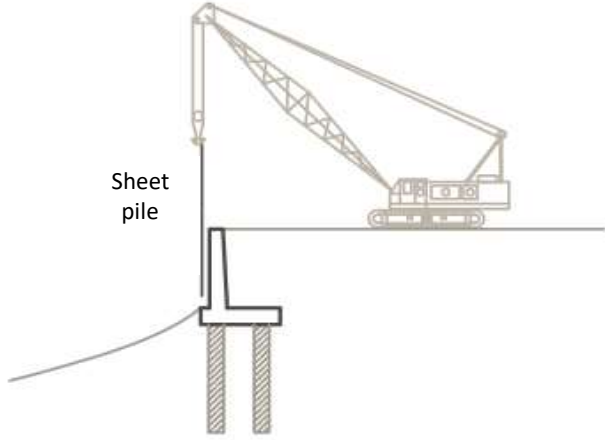
<p>Step 7</p>	<p>Assembling formwork and placing concrete</p> 
<p>Step 8</p>	<p>Backfill and compaction work</p> 
<p>Step 9</p>	<p>Pull out the sheet pile ⇒ Finishing work</p> 

Photo in local (Tien Giang Province, Vietnam)

Before construction



Placing sheet pile & Leveling



Ground improvement method is being carried out by adopting the deep mixing method.



Assembling formwork



Placing concrete



Constructing stairs

